

NEW AGE MACHINETM

MODEL NA-MULE
TELESCOPIC CLOTH-SPREADER

Illustrated Parts List

Guarantee

We guarantee our machines for six months from date of invoice against defective parts and workmanship and will repair or replace any part that proves defective from these causes when returned to us, carrying charges prepaid. This guarantee does not include making good for damages caused by misuse, neglect or normal wear.

New Age Mach

MODEL NA — MULE

HEAVY DUTY SPREADER

- € MODEL MULE, VERY STURDY MACHINE
 - € CAPACITY: UP TO * 300 LB ROLLS
UP TO 66" WIDE ROLLS (TABLE NEEDS TO BE 6" WIDER THAN FABRIC)
 - € 4 HANDLES, 2 ON EACH SIDE
 - € 2 SCISSOR HOLDERS, 1 EACH SIDE
 - € FABRIC EDGE CONTROL
 - € GUARANTEED
 - € TABLE-TRACK AND HARDWARE AVAILABLE
 - € MAXIMUM SPREAD HEIGHT-9 INCHES
(HIGHER AVAILABLE UPON REQUEST)
 - € MAXIMUM FABRIC-ROLL DIAMETER-18 INCHES
(LARGER AVAILABLE UPON REQUEST)
- * * 600 LB MODEL AVAILABLE
-

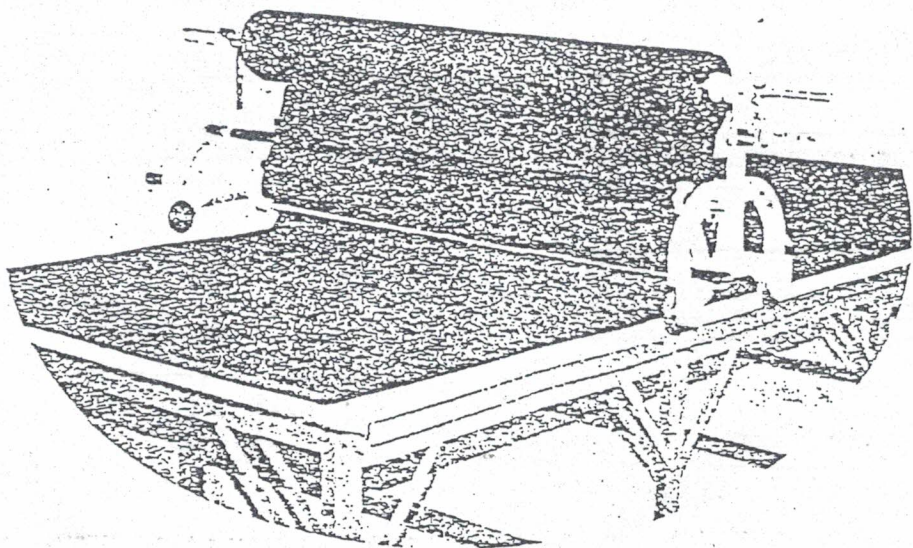
MODEL NA — MULE

TENDORA DE TELA TELESCOPIA

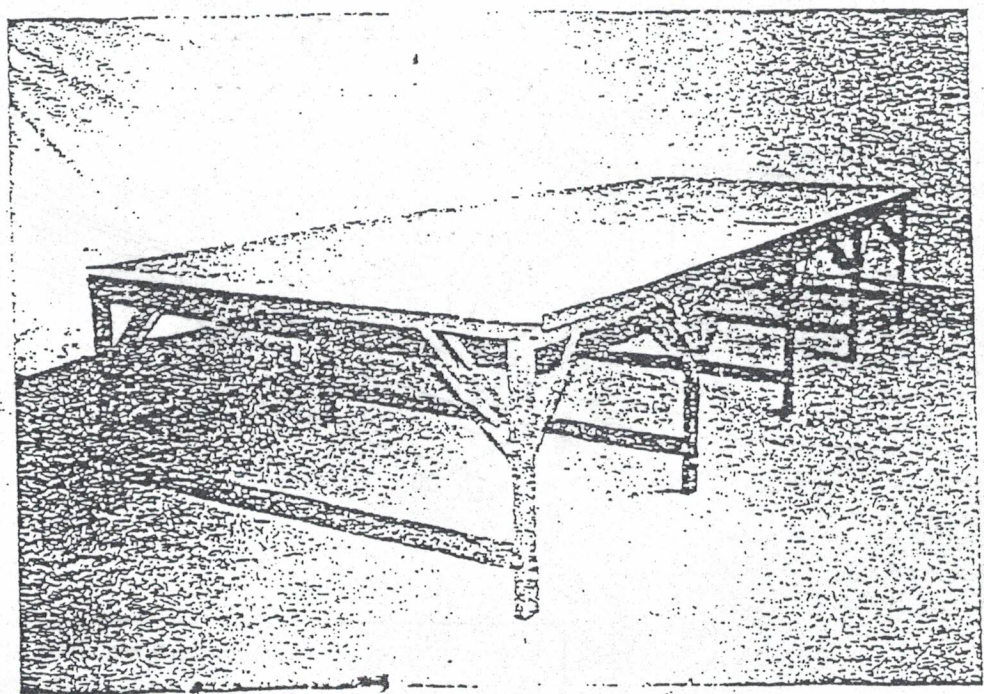
- € MODELO: MULA. MAQUINA MUY FUERTE Y DURABLE
 - € CAPACIDAD: HASTA * 300 LIBRAS POR ROLLO, HASTA ROLLOS DE 66" DE ANCHO (LA MESA NECESITA DE SER 6" MAS ANCHA QUE EL ANCHO DE LA TELA)
 - € 4 AGARADERAS, 2 EN CADA LADO
 - € 2 FONDAS PARA TIJERAS, 1 EN CADA LADO
 - € CONTROL DE LA ORILLA DE LA TELA
 - € GARANTIA
 - € EL TRACK DE LA MESA Y MATERIAL DISPONIBLE
 - € MAXIMA ALTURA DE TENDER-9 PULGADAS
(MAS ALTO DISPONIBLE SI ES REQUERIDO)
 - € MAXIMA DIAMETRO DEL ROLLO DE TELA -18 PULGADAS
(MAS ANCHO DISPONIBLE SI ES REQUERIDO)
- * * MODELO DE 600 LIBRAS DISPONIBLE

NEW AGE MACHINETM

Cloth Spreader & Cutting Bed



Cloth-Spreader

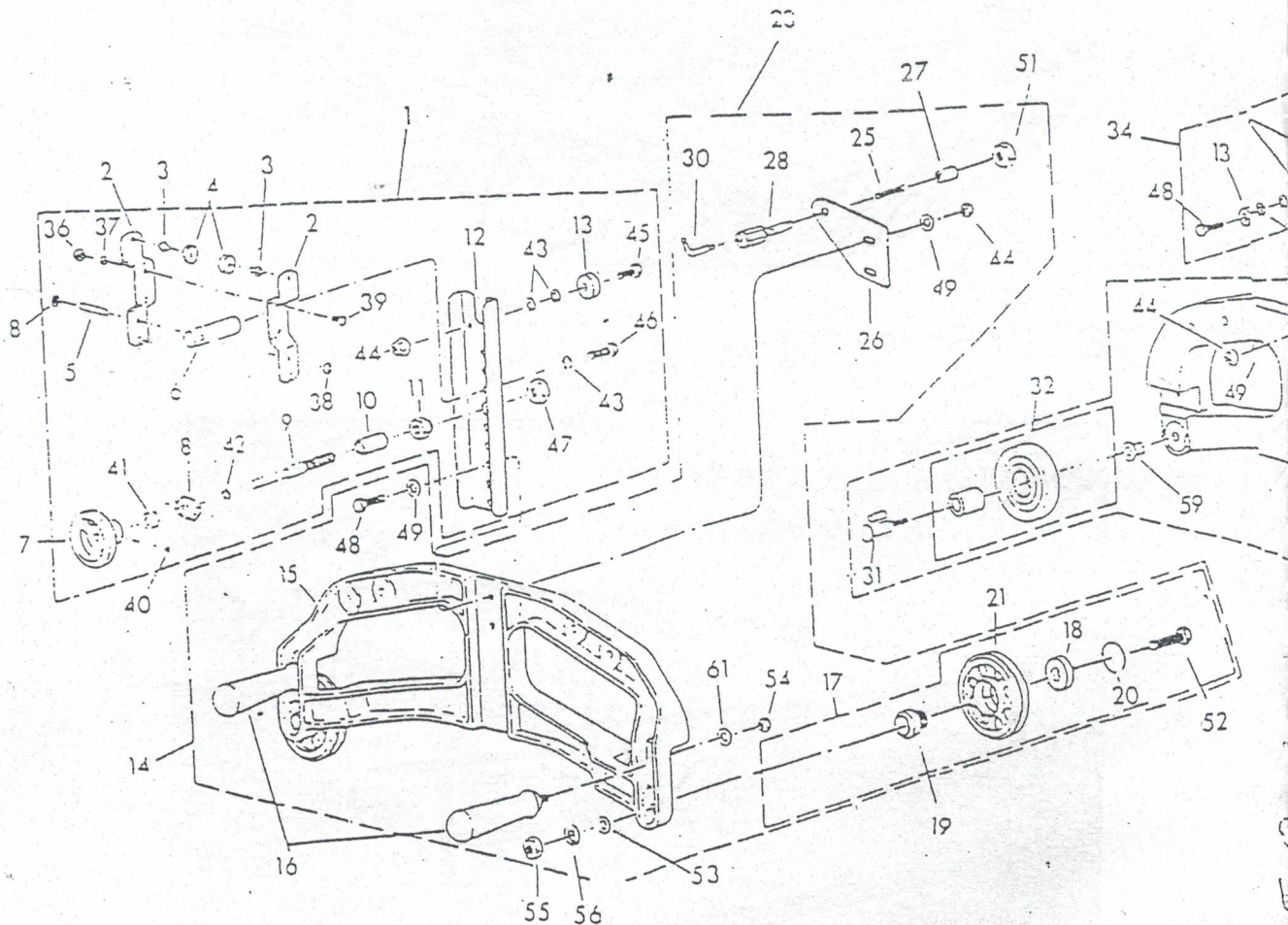


Cutting-bed

NEW AGE MACHINE ^(TM)

MODEL NA-MULE HEAVY DUTY-SPREADER Front & Back Frame Assemblies

Item numbers are for reference only. Please Specify PART NUMBER when ordering replacement parts.

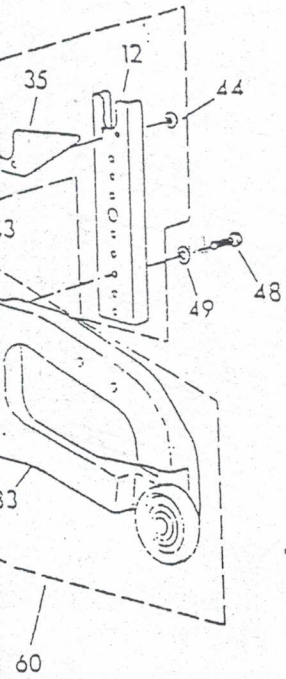


NOTE

Engineering changes may have occurred after date of publication. Check with your factory representative if any deviations are found.

ITEM	PART NO.	DESCRIPTION	QTY.
1	C-0400	Upright Assembly, Front	1
2	F-302-A	Shifter Bracket	2
3	F-302-G	R.B.A. Shifter Bearing Stud	2
4	F-101	Bearing	2
5	F-1001-1	Stud, Pivot	1
6	F-302-D	R.B.A. Shifter Pivot Rod	1
7	CHT-424-4	Handwheel	1
8	F-302-C	R.B.A. Shifter Clevis	1
9	F-302-E	R.B.A. Shifter Screw	1
10	F-302-I	R.B.A. Spacer	1
11	F-302-F	R.B.A. Start Nut	1
12	F-172-T	Adj. Upright Top	2
13	F-111	Bearing	4

ITEM	PART NO.	DESCRIPTION
14	C-0401-01	Front Frame Assembly
15	C-30259	Frame, Front
16	TL-238-2	Handle
17	TL-0203	Track Wheel Assembly
18	F-100	Bearing
19	9002-025	Steel Washer
20	631-100	Retaining Ring
21	F-7A	Track Wheel
22	TL-221	Bushing, Track Wheel
23	C-0300	Lifting Bracket Assembly (Part of Front Assembly)
24	C-1000	
25	E-131	Spring
26	C-7	Lifting Bracket
27	C-45	Spring Stud
28	M-96	Lock Pin
29		
30	C-28	Lock Handle
31	TT-139	Rubber Wheel Stud
32	F-96	Rubber Wheel
33	C-1	Frame, Back
34	F-0201	Upright Assembly, Back
35	F-182	Bar, Wind
36	203-99	Nut, Hex 10-24
37	402-010	Lock Washer, # 10
38	665-16-017	Push Nut
39	318-99-8	Screw, Pan Hd, 10-24 x 3/4
40	342-34	Setscrew, 1/4-20 x 1/4
41	903C-001	Nylon Spacer
42	411-38-1	Washer, Fiber
43	402-36	Washer, Lock 5/16
44	216-36	Lock Nut, Flange 5/16-18
45	331-36-16	Screw, Hex Hd, 5/16-18 x 1 1/2
46	331-36-12	Screw, Hex Hd, 5/16-18 x 1 1/4
47	206-48	Nut, Hex 5/16-18
48	331-36-16	Screw, Hex Hd, 5/16-18 x 1 1/2
49	410-36	Washer, Flat 5/16
50	402-34	Washer, Lock 1/4
51	203-34	Nut, Hex 1/4-20
52	331-44-28	Screw, Hex Hd, 1/2-20 x 2 1/2
53	410-44	Washer, Flat 1/2
54	206-39	Nut, Hex 3/8-24
55	203-34	Nut, Hex 1/4-20
56	411-34-2	Washer, Fiber 1/4
57	511-8-12	
58	331-34-20	Screw, Hex Hd, 1/2-20 x 2
59	410-38	Washer, Flat 3/8 Rolling Socket
60	C-0402-01	Sack Frame Assembly
61	402-38	Washer, Lock 3/8

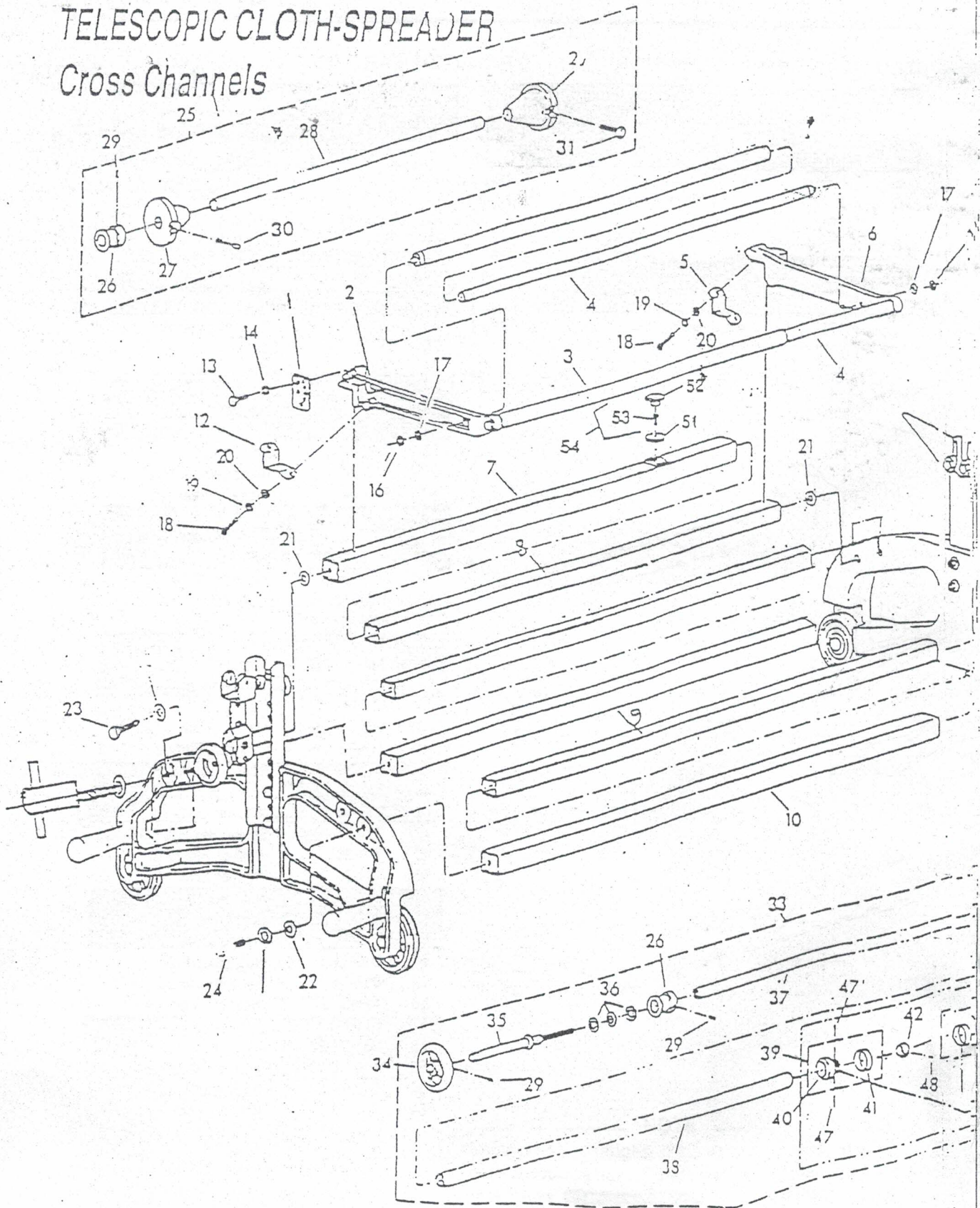


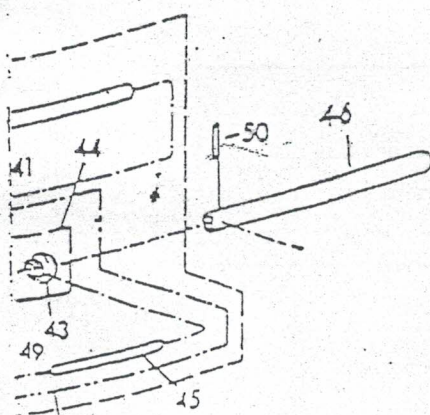
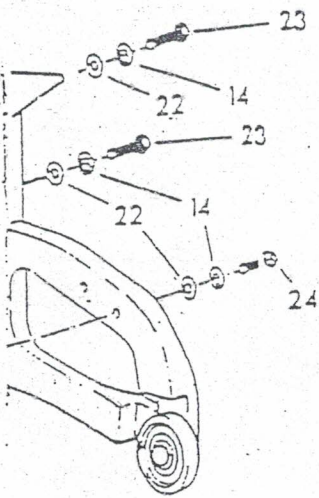
NEW AGE MACHINETM

MODEL NA-MULE

TELESCOPIC CLOTH-SPREADER

Cross Channels





Expanding Spring Ass'y.
(See Table for Qty. Used)

ITEM	PART NO.	DESCRIPTION	QTY.
1	C-8	Gear Segment Lock Plate	1
2	C-2	Front Arm With Hub	1
3	C-0205-MS	Round Tube Ass'y, External	2
4	C-0204-MS	Round Tube Ass'y, Internal	2
5	C-19	Clamp Bracket, Small	1
6	C-3	Back Arm	1
7	C-02449-MS	Quick Release Tube, External	1
8	C-02447-MS	Quick Release Tube, Internal	1
9	C-02447-MS	Tube Assembly, Internal	2
10	C-02446-MS	Tube Assembly, External	2
11	TPL-13	Quick Release Pin	1
12	C-18	Clamp Bracket, Large	1
13	331-36-12	Screw, Hex Hd. 3/8-16 x 3/4	2
14	402-38	Washer, Lock 3/8	8
15			
16	402-010	Washer, Lock #10	4
17	410-010	Washer, Flat #10	4
18	331-34-16	Screw, Hex Hd. 1/4-20 x 1	4
19	402-34	Washer, Lock 1/4	4
20	410-34	Washer, Flat 1/4	4
21	411-41-2	Washer, Fiber 1/2	2
22	410-38	Washer, Flat 3/8	6
23	311-38-28	Screw, Hex Hd. 3/8-16 x 1 3/4	2
24	311-38-24	Screw, Hex Hd. 3/8-16 x 1 1/2	5
25	CH-0229-2-MS	Rayon Bar Assembly	1
26	F-189-C	Shifter	1
27	F-226B	Cone	2
28	CH-86A-MS	Rayon Bar	1
29	342-34-4	Setscrew, 1/4-20 x 1/4	1
30	337-36-20	Screw, Sq. Hd. 5/16-18 x 1 1/4	1
31	367-36-20	Thumb Screw, 5/16-18 x 1 1/4	1
32	F-165	Cone for Tubular Knits	2
	(not shown)	(Optional)	
33	PM-1004-MS	Expanding Bar (optional)	1
34	CHT-424-3	Handwheel	1
35	PM-114	Screw, Expanding	1
36	PM-125	Washer	1
37	PM-111-MS	Expanding Tube, Inside	1
38	PM-110-MS	Expanding Tube, Outside	1
39	PM-0214	Expanding Collar, Stationary	1
40	PM-112-2	Expanding Collar, Long	1
41	PM-113	Expanding Collar, Short	1
42	PM-122	Expanding Spring, Collar	1
43	PM-112-1	Expanding Collar, Long	1
44	PM-0215	Collar Assembly, Movable	1
45	PM-115	Expanding Spring	3
46	PM-117	Extension Tube (optional)	1
47	342-102-3	Setscrew 10-32 x 3/16	2
48	342-102-2	Setscrew 10-32 x 1/8	1
49	511-5-20	Roll Pin	1
50	511-5-12	Roll Pin	1
51	C-12584	Knurled Lock Ring	1
52	9079-010	Knob	1
53	355-39-16	Screw, Socket Head, 3/8-24 x 1	1
54	C-12653	Knob Assembly	1

MS - Machine Size